

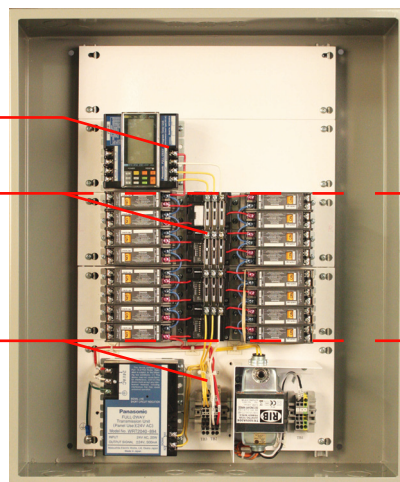
## LPB

**BASIC MULTIPLEX TRANSMISSION**  
**Full-2Way Remote Lighting Control System**

PROJECT	
LOCATION	

### APPLICATIONS

- Hospitality Facilities
- Office Buildings
- Schools
- Warehouses



\*Dimmer Plate\*  
(not shown, optional)

### FEATURES

- ON / OFF control of lighting and other electrical loads using mechanically latching relays
- Controls Individual, Dimmer, Group, and Pattern functions
- EEPROM memory storage of Groups and Patterns eliminates need for battery backup
- Automatic Daylight Savings Time function
- Provides OFF delay and ON Timer options for Individual and Group functions
- LCD display Timer Unit system level device for scheduling loads on daily, weekly, monthly or yearly basis up to 30 separate channels
- IR Address setting unit for switches and relays
- IR Programming unit sets Patterns and Groups
- Compliant with California Title 24
- 2 year warranty

### DESCRIPTION

The LPB Series is the "Basic" version of PLC's multiplex transmission Full-2Way remote lighting control system. It uses just two 24V signal wires for all of the switches on a network, and controls lighting using mechanically latching relays. This reduces the number of wires needed compared to conventional control wiring.

The system is cost-effective and easily-configurable with programming and accessories. The CPU can control up to 256 circuits per system, and it is logically capable of turning up to 127 groups of lights on and off in an entire section of any application area. Up to 72 control patterns can be programmed to match work schedules or habits, allowing

for maximum occupant satisfaction while achieving energy and operating cost savings. The programmable timer is easily configurable to match a daily schedule for lights to be automatically turned on and off. Passive infrared motion sensor control is also offered to turn on and off lighting depending on occupancy of a monitored building space. For additional energy savings, indoor daylight sensors are available which respond to the brightness of the environment.

In addition to the capabilities above, this system offers added energy saving possibilities by adding optional components such as dimmer controls and a touchscreen display.

## TECHNICAL DATA - LPB Series

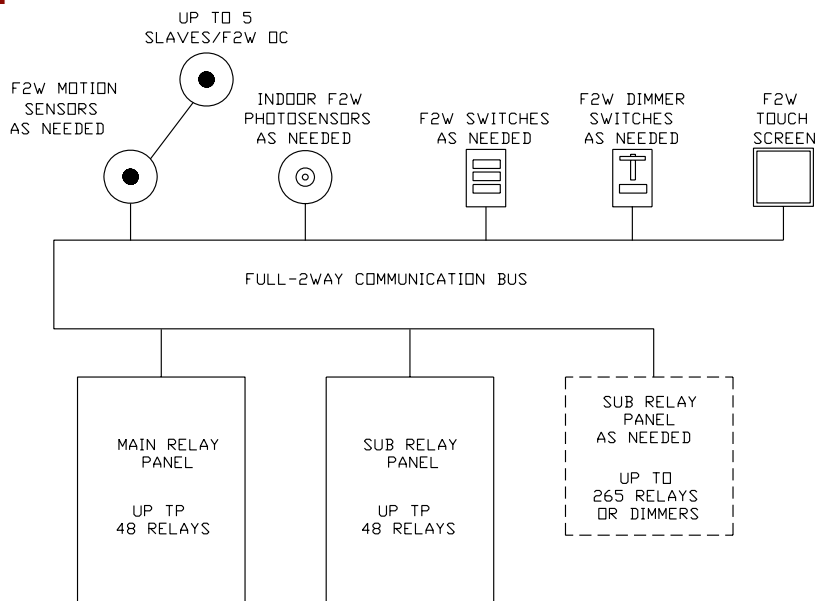
Input Voltage:	120VAC, 277VAC or 480VAC
Output Zones:	20A Relay is mechanically latching; Rated up to 277VAC at 20A. (8 - 256 points)
Relays Electrical Inputs:	Low Voltage: $\pm 24$ VDC reversible polarity ( $\pm 24$ VAC half-wave), Class II Current: 350mA
Relay Electrical Outputs:	Line Voltage: <ul style="list-style-type: none"> <li>• 20A 300VAC (General Use)</li> <li>• 2400W 120VAC (Tungsten)</li> <li>• 20A 300VAC (ballast)</li> <li>• 14,000A short circuit interrupting current</li> </ul>
CPU Signal Voltage:	$\pm 24$ V
Signal Methods:	Cyclic time sharing multiplex transmission with cut-in signal method
Signal Wires:	Two wires with no polarity
Signal Transmission Distance:	1,600ft max. with 18AWG wire
Extension of Transmission Distance:	Max. 9,800ft, Total of 29,500ft (with use of 5 amplifiers)
Power Failure Backup:	Flash Memory for Groups/Patterns
Program Timer Unit:	Automatic Daylight Savings Time Function
Approvals:	Compliant with California Title 24

Enclosure Dimensions:	NEMA 1 Surface Mount Enclosure 24"H x 20"W x 6"D 36"H x 20"W x 6"D 48"H x 20"W x 6"D
-----------------------	-----------------------------------------------------------------------------------------------

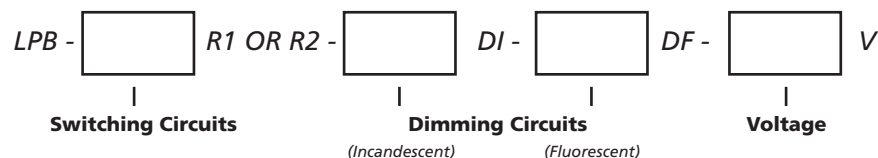
Temperature Range:	32° to 140°F (0° to 40°C)
--------------------	---------------------------

Input Option Devices:	Panasonic Daylight Sensors, Motion Detectors, Switches and Touchscreen display
-----------------------	--------------------------------------------------------------------------------

### ONE-LINE DIAGRAM



### ORDERING INFORMATION



ACCESSORIES [ ] See LP-Series Accessories Sheet (Listed Separately)