

PCRK

PC SENSOR REPLACEMENT KIT

APPLICATIONS

- *Retrofit existing installations*



PROJECT	
LOCATION	

FEATURES

- *Allows field replacement of obsolete PC sensors without having to run additional wires*
- *Works with existing LC8*
- *DC Power Supply included for applications that were previously AC powered*
- *Placard with settings to match new sensor included*
- *2 year warranty*

DESCRIPTION

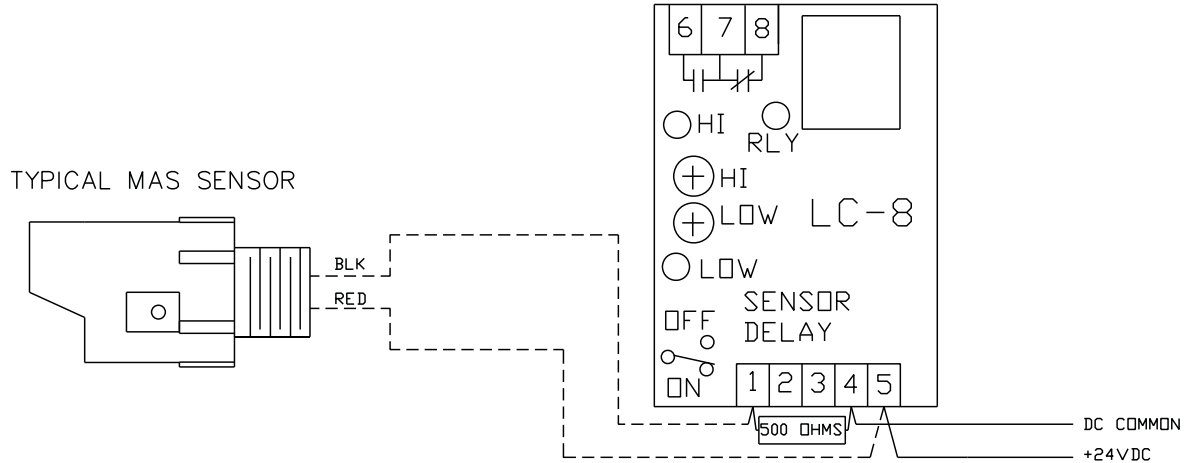
PCRK: PC photo-sensor replacement kit. This kit consists of four parts; A T455 power supply, a Sensor Adaptor, a plastic Placard that fits over the LC8 controller's trimpots, and the Installation and Maintenance Manual.

In addition to the PCRK, an MAS sensor will need to be selected and ordered separately to replace the obsolete PC Sensor. Please use the Replacement Sensor Selection Table to confirm that you are using the correct replacement sensor.

TECHNICAL DATA - PCRK

Operating Voltage	24VDC (applied voltage of 120VAC via T455 only)
Signal Conversion:	4-20mA to 2-10VDC
Operating Temperature Range:	-12.2°F to + 140°F (-11°C to 60°C)

CONNECTION DRAWING



REPLACEMENT SENSOR SELECTION

IF replacing a ...	Select a ...
PC1A	MASII
PC5A	MASIO
PC5AD	MASIOD OR MASIO - Max 500fc
PC9A	MASIA

ORDERING INFORMATION

