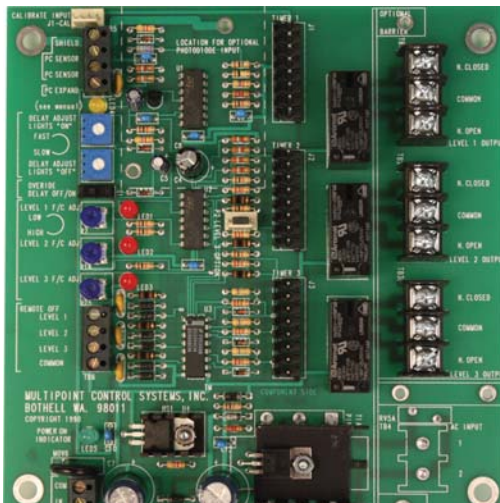


LC3X
THREE LEVEL
Lighting Controller

APPLICATIONS

- Parks
- Atriums
- Tunnels
- Hangars
- Walkways
- Sky lit gyms
- Pool Area
- Skylight Warehouses
- Building security lights
- Multilevel parking garages



PROJECT	
LOCATION	

FEATURES

- Adjustable setpoints allow for flexible, multilevel lighting control
- Low voltage controls provide safe and easy installation
- The switching setpoint, once adjusted, will not drift or deviate for the life of the product
- Standard 0-2,500FC range. Optional 0-10,000FC range
- Interfaces with time-clocks, Energy Management Systems, manual switches, relays, contactors with 5 Amp resistive, 3.5 Amp inductive Form C relays
- Built in, separate, 0-7 minute, "Light-to-Dark" and "Dark-to-Light" adjustable Input Delays prevent intermittent or false switching (Delay off switch provided for testing and calibration)
- Override input for each level of control
- Can be cascaded to another LC3X for multiple step control
- Standard 24 VAC input
- 2-year warranty

DESCRIPTION

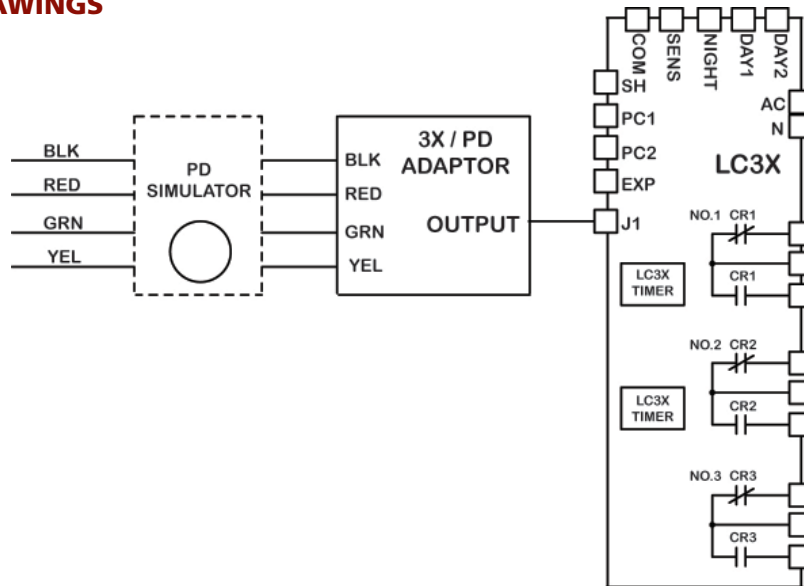
The LC3X automatically switches three dry contacts in response to changes in natural daylight, utilizing independent setpoints. The LC3X controller requires a separate PD style sensor and optional 3XIPD adapter to complete the low voltage system. The LC3X can be configured as a stand-alone controller, or for cascaded operation, with a master LC3X providing the sensor signals to slave controllers.

Options include the 3XIPD Photodiode adapter; which provides the sensor's gain calibration, the 3XIT Timer which has multiple time ranges and selection of interval or additive functions, and the PD Simulator which is used to verify voltages of footcandle levels.

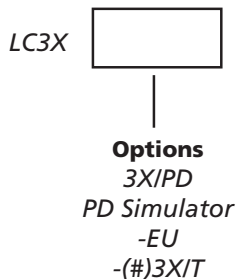
TECHNICAL DATA - LC3X

Power:	24 VAC standard
Output :	3 independent Form C contact relays 5A conductive, 3.5A inductive
Accuracy:	+/-1% at 70° F (21° C) Derated to +/-5% at 120° F or at 0° F (49° C / -18° C)
Operating Temp:	-13° F to 140° F (-11° C to 60° C)
Sensor:	Photodiode 4 wire option PLC Sensors PD Series 2% - 10% nominal
Deadband:	Dark 0-7 min. (decreasing light)
Delay:	Light 0-7 min. (increasing light) Incandescent, fluorescent, HID
Load:	6.25"H x 6.35"W x 1.5"D
Circuit Board Dim.:	Sensor signal can be cascaded to additional LC3X
Aux. Output:	Input override on each circuit. Optional Hand-Off-Auto switch for each
Control Inputs:	Circuit 1-3 on indicators (RED)
Indicators:	Power On indicator (GRN) Sensor limits indicator (YEL)
Options:	1) PD Photodiode Sensor PLC Sensors PD Series 2) -3X/IPD Photo diode adaptor 3) PD Sim Photodiode Simulator 4) -3X/IT Hold-On Timer 5min. - 3 hours (max. 3 per LC3X) 5) -EU Hinged NEMA 1 Enclosure (12"H x 12"W x 4"D) with 120/277V transformer

CONNECTION DRAWINGS



ORDERING INFORMATION



*** FOR SENSOR SELECTION SEE CES DATASHEET**