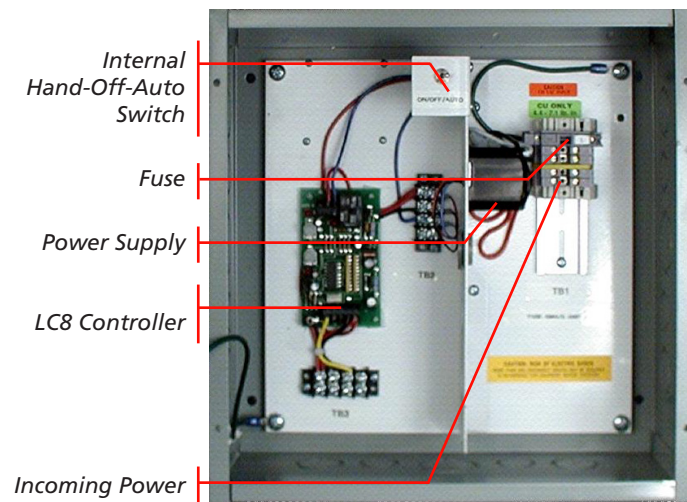


LC81, LC82

SINGLE & DUAL LEVEL Lighting Control System

APPLICATIONS

- Canopy
- Fast Food Restaurants
- Gas Stations
- Outdoor Sign
- Parking Lot
- Security Lighting
- Skylight



PROJECT	
LOCATION	

FEATURES

- Adjustable ON/OFF setpoints at the control unit for convenient, flexible, low maintenance lighting control
- Low voltage controls provide safe and easy installation
- Choice of sensor styles—indoor, outdoor, atrium or skylight sensors. Provides an adjustment range of 0-7,500fc
- Use stand-alone controller or with standard options such as time-clocks, contactors or customize the system for a specified application
- Input time delay prevents switching due to temporary light conditions
- Product pays for itself in energy saved! Qualifies for many utility rebate programs
- Compliant to Title 24
- UL508A Listed
- 2 year warranty

DESCRIPTION

The LC81, LC82 photo sensor lighting control systems automatically switch dry contacts in response to changes in natural daylight. The LC81, LC82 controllers are available in a Basic(B) model as well as a Standard(S) model.

The LC81-B, LC82-B systems include one or two LC8 control boards, internal Hand/Off/Auto Switch per LC8, terminal blocks and one or two 20A switching relays housed in a NEMA 1 hinged door enclosure. The systems include one CES sensor.

The LC81-S, LC82-S is expanded to include an on-door illuminated HOA switch, fused input power, and room for other options such as a 24hr time-clock or additional 20A power circuits housed in a larger NEMA 1 enclosure. The LC8 based systems are capable of switching control of incandescent, fluorescent and HID lighting loads. An optional 1/2 hour "Hold On" timer may be ordered to prevent the short cycling of HID lamps.

The dual setpoint system precisely switches loads according to the selected light level configuration. LOW and HIGH light levels are calibrated to their setpoints at the control board. As the sensor detects a diminishing light level that corresponds with the LOW setpoint, the control board matches the two signals and the lights are switched

ON. As the sensor detects an increasing light level, the control board's HIGH setpoint switches the lights OFF. The LOW and HIGH setpoint separation creates a "deadband". This prevents the sensor from switching light levels between the setpoints, thus eliminating nuisance or intermittent changes.

To assure optimum performance and highest standards, all electronic components are of computer grade quality and assembled onto a fiberglass epoxy circuit board. All components are factory tested to assure maximum reliability. The entire assembly is mounted in a NEMA 1 hinged door enclosure with the high and low voltage components separated by a barrier. The Basic size is used with limited outputs and options. The larger Standard size is used when the application requires more options or additional circuits. The system is constructed to UL508A standards and each unit carries an Electrical Testing Laboratories label.

The advantages of using the LC81, LC82 lighting control system are found in stability, versatility, quality and accuracy. The LC81, LC82 offers a complete, stand-alone system package. Once mounted, the sensor, power and lighting loads need only to be wired, and the system is ready to operate.

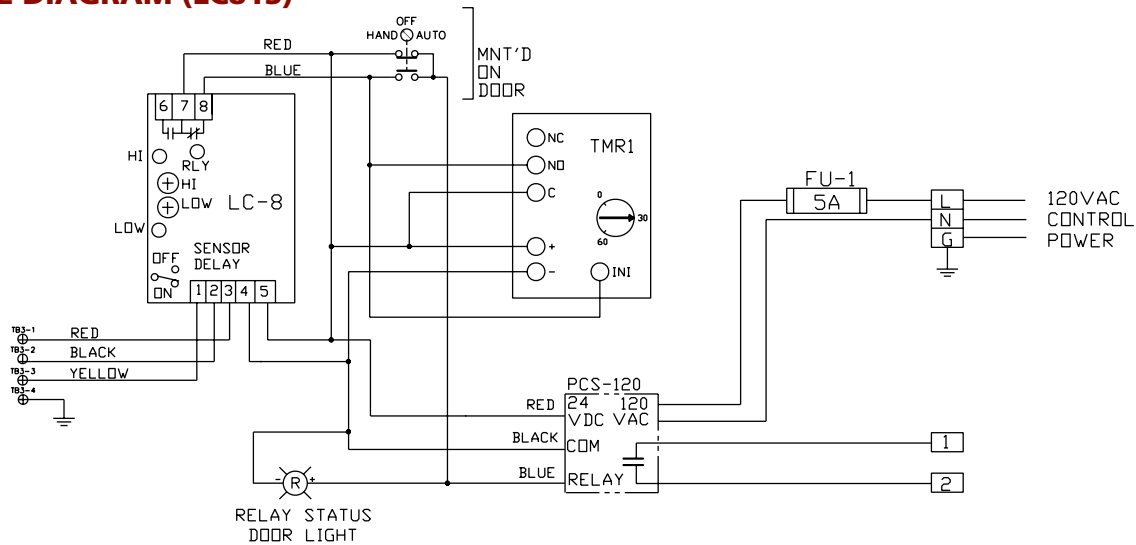
TECHNICAL DATA - LC81, LC82

Input Voltage: 120VAC or 277VAC
Output : LC81: 1-120/277VAC 20A N.O.
 LC82: 2-120/277VAC 20A N.O.
Input Sensor Type: CES Photodiode - 3 wire
Input Time Delay: 30 second, overrideable
Dead Band: Adjustable - 5-95%
Accuracy: +/-1% at 70°F (21°C) Derated to +/-5% above 120°F or below 0°F. (49°C / -18°C)
Override Switch: Internal Hand-Off-Auto (HOA) switch
Enclosure Dimensions: Basic - NEMA 1 12"H x 12"W x 4"D
 Standard - NEMA 1 "24"H x 18"W x 6"D
Indicator: Basic - Red High and Low LEDs, Red Relay - ON LEDs
 Standard - Red Illuminated Hand/Off/Auto switch
Temperature Range: -13° to 140°F (-11° to 60°C)
Load: Incandescent, Fluorescent & HID

Options: Additional 20A output
 -HT adjustable 0-1hr Hold-On-Timer
 OP4 4-Pole Normally-Open Contactor / 20A / 120V Coil
 OP8 8-Pole Normally-Open Contactor / 20A / 120V Coil
 CP4 4-Pole Normally-Closed Contactor / 20A / 120V Coil
 TC724 24hr time switch
 UL508A

Approvals:

ONE-LINE DIAGRAM (LC81S)



ORDERING INFORMATION

LC81	-	<input type="text"/>	-	<input type="text"/>	-	<input type="text"/>
LC82	-	<input type="text"/>	-	<input type="text"/>	-	<input type="text"/>
		Model		Voltage Input		Option
		B for BASIC		120		-HT
		S for STANDARD		277		OP4
						OP8
						CP4
						TC724

* For Sensor Selection See CES Sensor Datasheet